



SIKORSKY

S-70[™] | **BLACK HAWK**[®]
MULTI-MISSION HELICOPTER

When Versatility & Survivability Matter





RUGGED, VERSATILE & ALWAYS MISSION READY

Over 3400 BLACK HAWK variants are in use today and have flown over 10 million hours. The BLACK HAWK has proven itself in the the most austere of environments providing an operational readiness rate of over 85% in combat conditions.

A MILITARY HELICOPTER FROM BIRTH

Black Hawk Helicopters are Designed for Combat Conditions



SURVIVABLE

Every **BLACK HAWK** is built to Military Standards for High Mass Retention which ensures cabin volume integrity with 20G forward, 20G down 10G up, 18G lateral forces applied, making the BLACK HAWK survivable in the most rigorous combat conditions.



VERSATILE

One Helicopter. Many Missions. Every **BLACK HAWK** offers unparalleled performance in a variety of configurations so when the mission suddenly changes, the BLACK HAWK can adapt, quickly.



DEPENDABLE

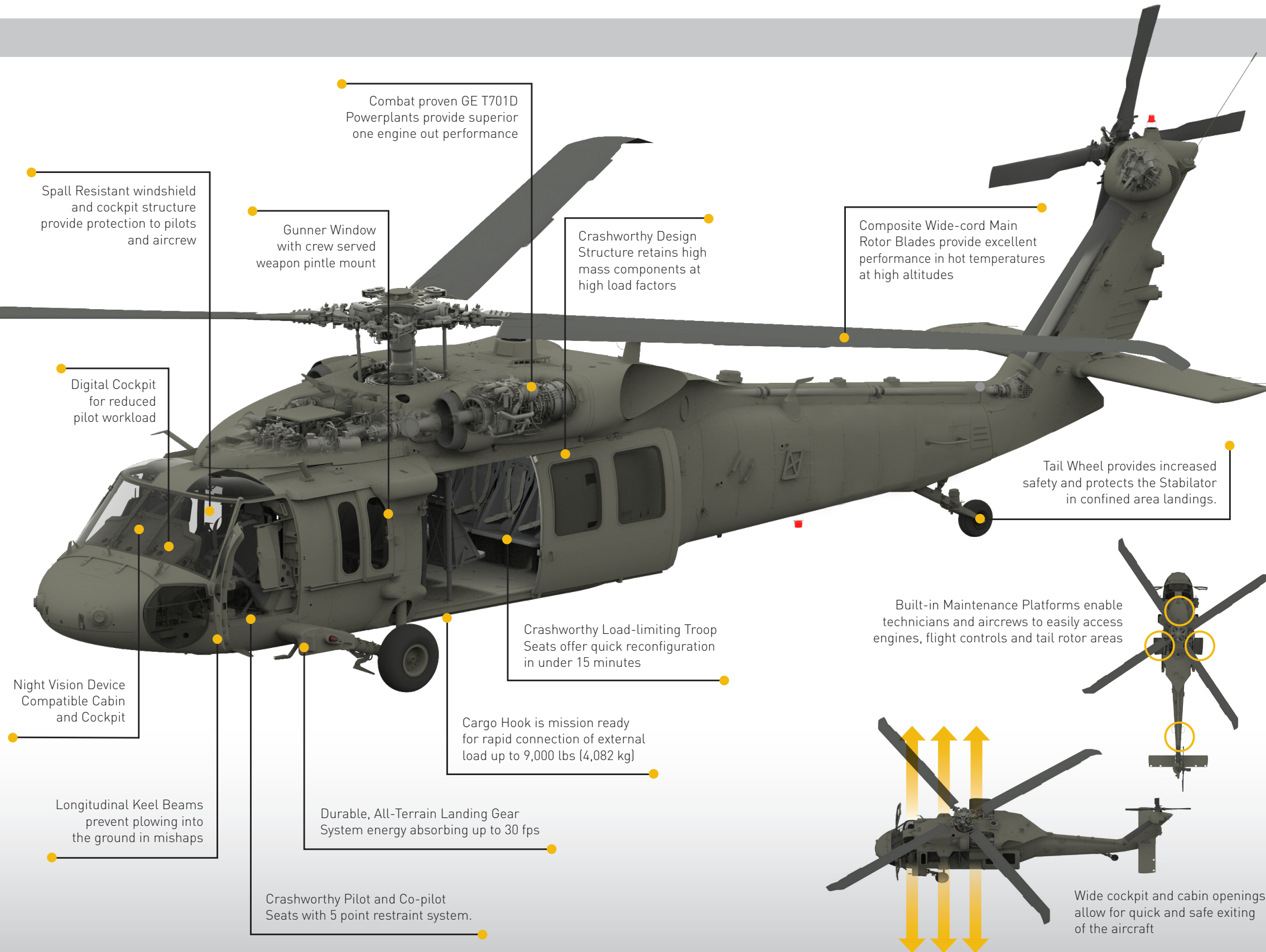
BLACK HAWKS have flown over 2.4 Million hours in recent Combat. 365, 24/7 you can count on the **BLACK HAWK** to be mission ready! Day or Night, Rain or Snow, Extreme Hot or Severe Cold, Anytime, Anywhere. Proven.

KEY DISCRIMINATORS

Capability and Performance Make for a Successful Mission



S-70™ BLACK HAWK



Combat proven GE T701D Powerplants provide superior one engine out performance

Spall Resistant windshield and cockpit structure provide protection to pilots and aircrew

Gunner Window with crew served weapon pintle mount

Crashworthy Design Structure retains high mass components at high load factors

Composite Wide-cord Main Rotor Blades provide excellent performance in hot temperatures at high altitudes

Digital Cockpit for reduced pilot workload

Tail Wheel provides increased safety and protects the Stabilator in confined area landings.

Night Vision Device Compatible Cabin and Cockpit

Crashworthy Load-limiting Troop Seats offer quick reconfiguration in under 15 minutes

Built-in Maintenance Platforms enable technicians and aircrews to easily access engines, flight controls and tail rotor areas

Cargo Hook is mission ready for rapid connection of external load up to 9,000 lbs (4,082 kg)

Durable, All-Terrain Landing Gear System energy absorbing up to 30 fps

Longitudinal Keel Beams prevent plowing into the ground in mishaps

Crashworthy Pilot and Co-pilot Seats with 5 point restraint system.

Wide cockpit and cabin openings allow for quick and safe exiting of the aircraft

KEY ADVANTAGES



USEFUL LOAD
10,350 lbs (4,695 kg)



RANGE
Baseline 281 nm (520 km)
Ferry 825 nm (1528 km)



MAX CRUISE SPEED
145 kts (268 km/hr)



HOT TEMP/HIGH ALTITUDE
Superior Performance



EXTERNAL LOAD
9,000 lbs (4,082 kg)



AIR TRANSPORTABLE
C-5, C-17, C-130, IL76



CABIN SEATING
12 + 2 Aircrew



CABIN ACCESS
68 in (1.7 m)



CABIN VOLUME
396 cu ft (11.2 cubic m)

DESIGNED FOR EXTREMES

Equipped to Operate Safely Wherever Your Mission Takes You



BLACK HAWK Helicopters are designed to operate in Hot/Sandy environments.



Qualified to meet High Temperature Operations of +55°C continuous

BLACK HAWK Helicopters are designed to operate in Cold/Icing conditions.



Qualified to meet Cold Temperature Operations of -40°C continuous

Designed to demanding Military Standards, the BLACK HAWK exceeds Civil requirements for operations in extreme temperatures.

BLACK HAWK Helicopters have proven capability in places where other aircraft cannot operate.

ONE AIRCRAFT, MANY MISSIONS

Adapt Quickly, Respond Effectively



BORDER PATROL

- Water Rescue
- Port Surveillance
- Armed Air Patrol
- Ship Capable Operations



ATTACK BLACK HAWK

- Close Air Support
- Highly Accurate Targeting
- Qualified Weapons Systems
- Various Armament/Fuel Configurations



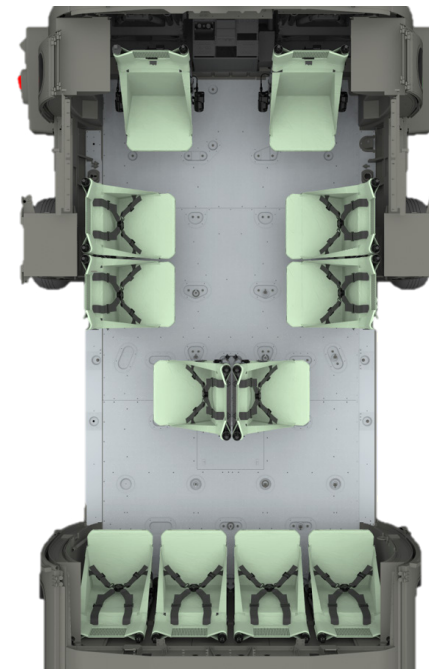
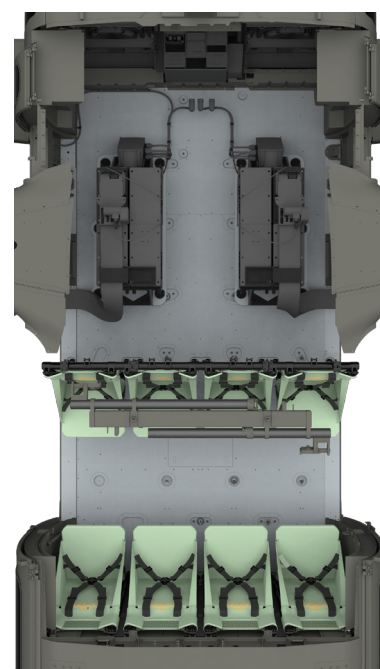
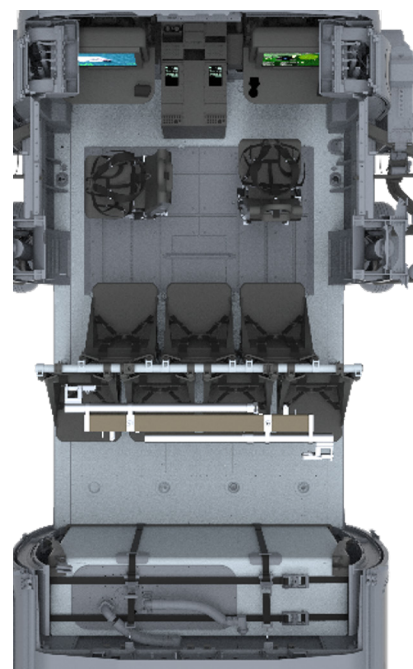
FIREHAWK

- 1000 Gallon Water Tank
- Rapid Water Fill in 60 sec. Any Source
- Search and Rescue Ready
- Insert/Extract up to 13 Firefighters



HEAD OF STATE

- Flown and Trusted by 11 Nations
- Protection for Dignitaries
- Combat Crashworthiness/Survivability
- Durability for Austere Environments



BLACK HAWK® Helicopters Have a Long Legacy of Innovation Dedicated to the Support of Your Mission



ROADMAP TO 2060
Modernization Planning
Vigourously Supported



FLEXIBLE FUEL CONFIGURATION
Expand Your Range
Up to 825nm



QUICK CABIN RECONFIGURATIONS
Transport to SAR to Attack
in Under 3 Hours



LOW RISK
Off-the-Shelf 100%
On-time Delivery

MILITARY DESIGN ADVANTAGES

Designed for the Harsh Conditions of Combat



Safe & Agile

The tail wheel allows for greater safety in the event of high flare landings and greater maneuverability on the ground.



Energy Attenuating, 3-Wheeled Landing Gear



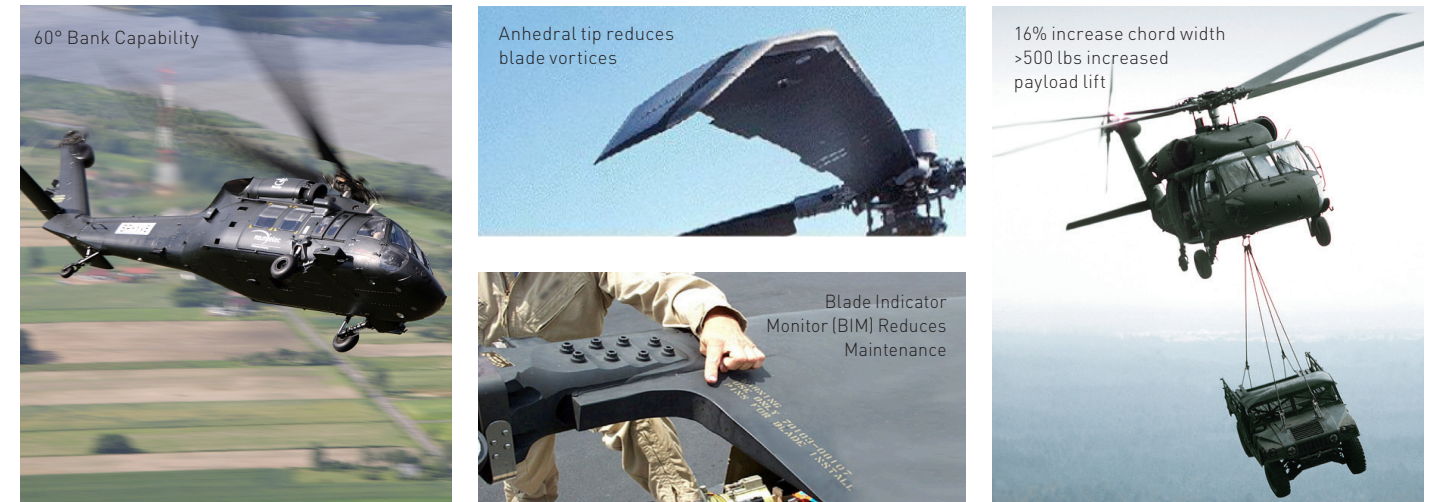
Energy attenuating, non-tricycle, wheeled landing gear designed for unprepared landing zones and sloped areas:

- Absorbs energy in the event of a mishap/hard landing thereby protecting occupants from high loads.
- Landing Gear withstands sink rate of 30 fps with airframe 38 fps making it more than 5x safer than commercial aircraft..
- Allows for taking off and landing in significantly higher sloped terrain and/or unprepared surfaces.

Evasive & Maneuverable

Ballistically Tolerant with a High Vertical Rate of Climb (VRoC) and Angle of Bank

- 3rd Generation Composite Wide Chord Main Rotor Blades provide improved tactical performance.



Air Lift Transportable

Easily Transportable & Storable - Deployment <4 Hours



S-70™ BLACK HAWK CUSTOMIZATION OPTIONS



MISSION EQUIPMENT

- Extended Landing Gear
- External Electric Rescue Hoist
- Medical Interior
- Engine Inlet Barrier Filter
- Power Sonic Loudhailer
- High-Powered Search Light
- Electro-Optical/Infrared System
- Environmental Control System
- Wireless Communications
- Moving Map System
- Mission Planning System
- Color Weather Radar
- Cargo Hook
- 1000 gal Water Tank w/ Integrated Retractable Snorkel
- Triple Patient Litter System
- Flight Following SATCOM
- Rotor Brake
- Manual Blade Fold Kit
- Helicopter Emergency Lighting System
- AFC Mark on Top for SAR
- Commercial Radios w/ Emergency Services Communication

WEAPONS SYSTEM

- HELLFIRE Missiles
- 70mm Unguided Rocket
- GAU-19 12.7mm Machine Gun
- M3M .50 cal Cabin Floor Mounted Machine Guns
- M-134 7.62mm Machine Gun
- Weapons Management System
- Day/Night Heads Up Helmet Display





SPECIFICATIONS

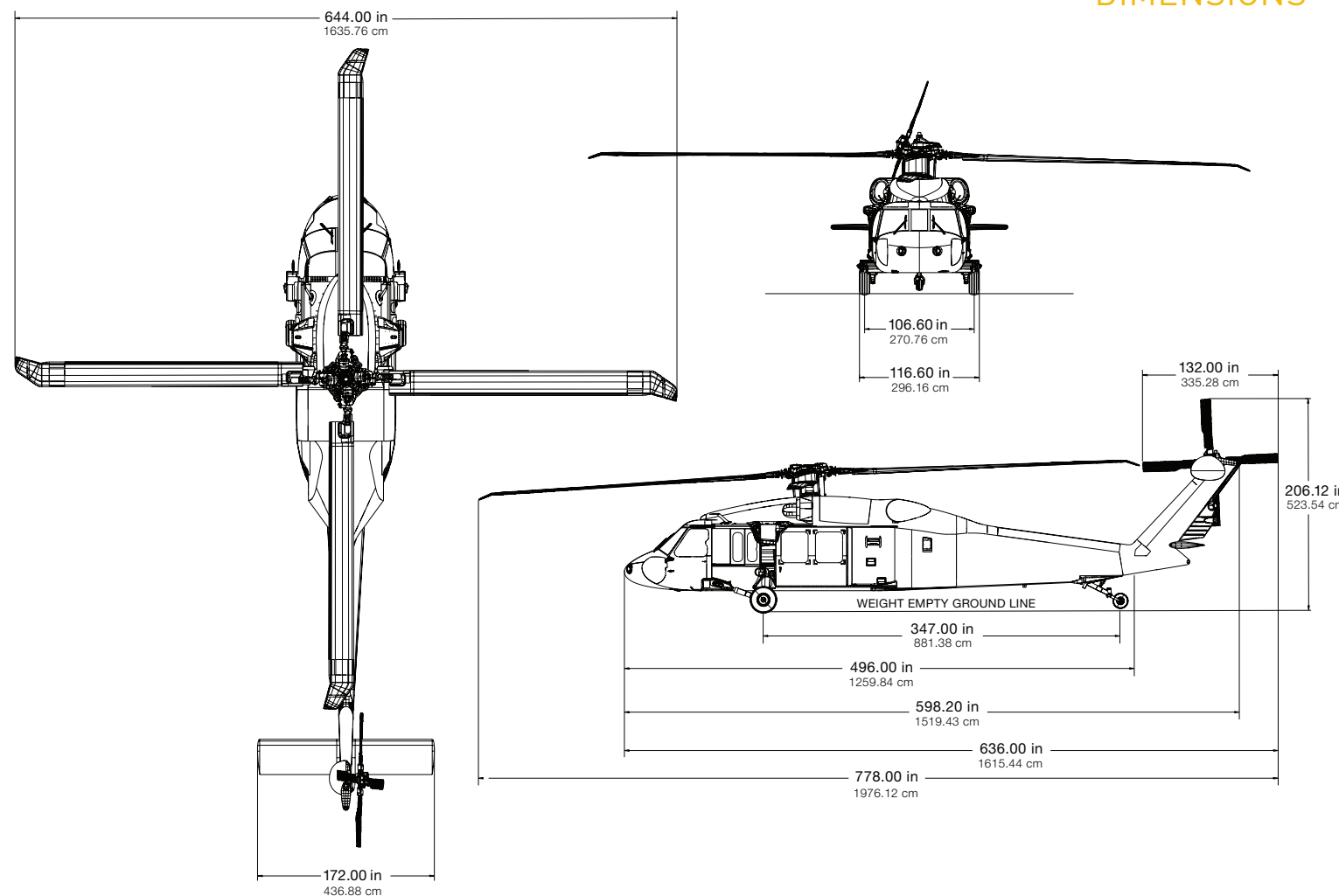
PERFORMANCE (Estimated)

Standard day sea level, maximum gross weight (GW)	22,000 lb (unless otherwise noted)	
Maximum Speed (Vne)	163 kts	302 km/hr
Maximum Cruise Speed (Vh)	145 kts	268 km/hr
Economy Cruise Speed (99% Vbr)	128 kts	237 km/hr
Maximum Range (no reserve)	268 nm	496 km
Maximum Rate of Climb	2,020 ft/min	10.26 m/sec
Maximum Ceiling	20,000 ft	6,097 m
Service Ceiling	15,000 ft	4,572 m
Hover Ceiling - OGE	6,200 ft	1,890 m
Hover Ceiling - IGE	10,270 ft	3,130 m
OEI Service Ceiling	6,780 ft	2,067 m

FUEL CAPACITY

Baseline Fuel Capacity	360 gal	1,362 L
Internal Aux	2 x 200 gal	1,514 L
External Fuel (Ferry Flight)	4 x 200 gal	3,028 L

DIMENSIONS



CABIN DIMENSIONS

Utility Configuration	2 Pilots, 2 Cabins Crew Members and 11 Troops	
Cabin Length	12.58 ft	3.84 m
Cabin Width (on floor)	6.00 ft	1.82 m
Cabin Width (at door)	7.00 ft	2.13 m
Cabin Height	4.52 ft	2.95 m
Cabin Area	88.00 sq-ft	8.18 sq-m
Cabin Volume	396.00 cu ft	11.21 cu-m
17 Tie-down Rings		
Cargo floor rated at 300 psf (1,464 kg/m ²)		
Two storage compartments (20.34 cu-ft) over fuel cells		

WEIGHTS

Empty Weight (excludes 11 cabin troop seats, 207 lb)	11,853 lb	5,376 kg
Maximum Take-off Gross Weight	22,000 lb	9,979 kg
Maximum Take-off Gross Weight (external load and with Firefighting water tank installed)	23,500 lb	10,659 kg

POWER PLANTS (Sea Level Standard)

Quantity/Type	Two (2) - T700-GE-701D	
2.5 Minute OEI Contingency	1,972 shp	1,471 kW
10 Minute Takeoff Power	3,910 shp	2,916 kW
30 Minute Intermediate Power	3,738 shp	2,788 kW
MAX Continuous Power	3,356 shp	2,502 kW

GLOBAL SUSTAINMENT & PRODUCT SUPPORT

Availability Enabled by an Integrated Support Network



On Site Support



Parts Positioned
Around the Globe



Original Equipment
Manufacturer
Parts and Repairs



Advanced Fleet
Management and
Logistics Tools



Training



24hr Customer
Care Center



Engineering
Services



Health & Usage (HEMS)
Data Monitoring

OVER 100 YEARS OF INNOVATION

Proud of Our Legacy...Excited About Our Future



“I always believed that the helicopter would be an outstanding vehicle for the greatest variety of lifesaving missions.”

Igor I. Sikorsky
Legendary Aviation Pioneer
Founder of Sikorsky



S-70



UH-60A



UH-60L



UH-60M





Lockheed Martin Your Mission Is Ours.™

6900 Main Street,
Stratford, Connecticut 06615 USA
+1 (800) WINGED-S (946-4337)
International +1 (203) 386-3029
www.lockheedmartin.com/sikorsky

BLACK HAWK® is a registered trademark of Lockheed Martin Corporation
This Page Does Not Contain Exported Controlled Technical Data. ©2019 Sikorsky, A Lockheed Martin Company 8365 (3/10)

