
BULK PACK IDENTICAL PARTS IN BOX

1.0 SCOPE

This standard provides for the packaging of bulk quantities of items in a box.

2.0 REFERENCES

- 2.1 Lockheed Packaging Standard LPS 40-001
- 2.2 NAS Packaging Standard 3410

3.0 REQUIREMENTS

3.1 GENERAL

- 3.1.1 Unless otherwise specified, the quantity per unit package shall be in accordance with the supplier's normal packaging practice.
- 3.1.2 Exposed silver or silver-plated parts shall be protected with tarnish-inhibitor material. Minimum surface area of the tarnish inhibitor shall be twice the area of the silver surface of the item.

NOTE: The treated side of the inhibitor material must be facing the item.

CAUTION: ITEMS HAVING ANY SURFACES INCOMPATIBLE WITH THE TARNISH INHIBITOR SHALL BE COMPLETELY WRAPPED WITH A NEUTRAL MATERIAL PRIOR TO APPLICATION.

- 3.1.3 Tarnish inhibitor may be adjacent to but shall not be allowed to come in contact with chemically finished surfaces such as anodize, iridite, chromate coatings and other nonferrous metals (e.g., cadmium, copper and brass).
- 3.1.4 The operational integrity of the item(s) shall be protected against damage during shipment from the supplier to destination. Critical areas and/or surfaces of the item(s) shall be protected from abrasion or other degradation, by wrapping, blocking, cushioning, etc.

3.2 UNIT PACKAGING – (See Figure 1)

- 3.2.1 Items shall be inserted into appropriate size and type of container(s) to contain and protect the items adequately during handling/shipment.
- 3.2.2 Fill all voids with suitable dunnage, blocking or bracing to prevent damage during handling/shipment.
- 3.2.3 Items normally furnished by suppliers in containers other than described herein, may be acceptable providing that other provisions of this standard are met and the substitution does not result in additional cost to LMSC.

3.3 INTERMEDIATE PACKAGING – (Consolidation of unit packages, when applicable. See Figure 2)

- 3.3.1 Unless otherwise specified, the number of unit packages per intermediate container (containing identical parts) shall be limited to the dimensions and gross weight provisions of the container specification (Ref Carrier Regulations).
- 3.3.2 Fill all voids with suitable dunnage, blocking or bracing, to prevent damage during handling/shipment.

3.4 PACKING

- 3.4.1 Pack appropriate number of intermediate containers uniformly into each shipping container.
- 3.4.2 Shipping containers as packed, shall protect the item from damage during ordinary handling/shipping and shall meet the minimum requirements of common carriers for safe transportation at the lowest rate to the point of delivery (see contractual document).
- 3.4.3 Unit or intermediate containers which meet the requirements of Paragraph 3.4.2 may be used as shipping containers.

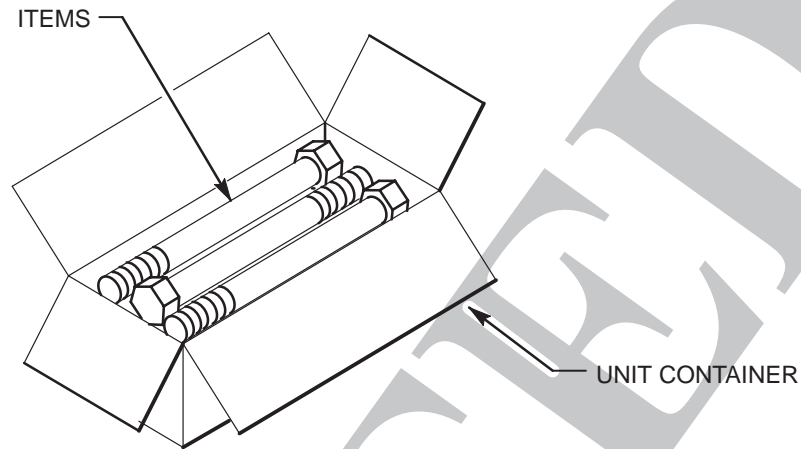


Figure 1. Unit Package

P30013-001

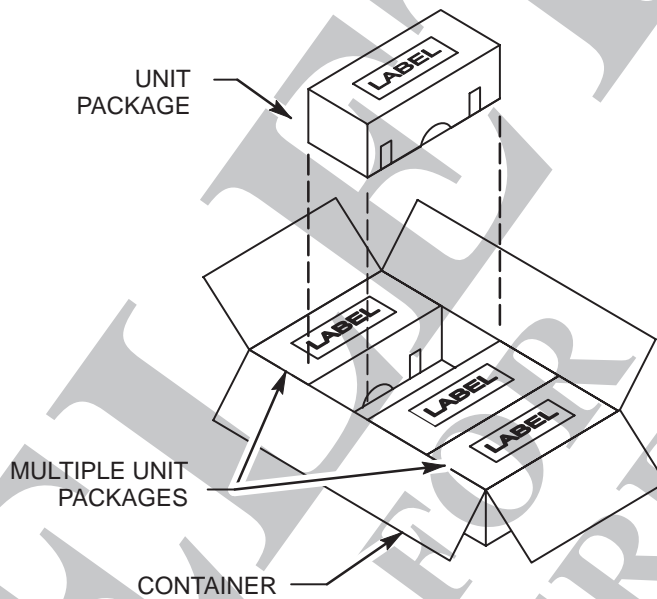


Figure 2. Intermediate/Shipping Container

P30006-001

3.4.4 Enclose or attach a copy of packing slip to the shipping container.

3.5 MARKING

3.5.1 Unit Package Marking – Label or mark each package to show at least the part number per contracting document, quantity and supplier identity. Packages containing tarnish inhibitor shall be marked/labeled: “Protected with Tarnish Inhibitor – Do Not Open Until Ready for Use or Inspection.” Additional markings may be specified in the item detail specification or drawing.

3.5.2 Intermediate Packaging Marking – Label or mark each container to show at least part number per contracting document, the supplier, and quantity of parts.

3.5.3 Shipping Container Marking – Label or mark each container to show part number per contracting document, the LMSC contracting document number, supplier, destination and quantity of parts.

3.5.4 Apply special handling and precautionary markings as required.

4.0 QUALITY ASSURANCE

4.1 Packaging shall be accomplished in such a manner as to prevent physical damage to, or degradation of, the packaged items during delivery to the using activity. It shall be the prerogative of LMSC to return damaged items, at supplier's expense, when such damage is attributable to improper or inadequate protection.

5.0 NOTES

5.1 The following information is intended as a guide or aid to suppliers in meeting the requirements of this specification.

5.1.1 DEFINITION – Unprotected Silver Surfaces. All metallic silver surfaces (having stringent reflectivity or conductivity requirements, close-tolerance finished and/or dimensions, without supplementary tarnish-resistant treatment), the deterioration of which may result in premature failure or malfunction of the item or equipment having such surfaces.

5.1.2 REFERENCES

<u>Commodity</u>	<u>Military/Commercial Specifications</u>
Box, Corrugated	PPP-B-636
Box, Folding	PPP-B-566
Box, Metal-Stayed	PPP-B-665
Box, Setup	PPP-B-676
Corrugation, Flexible	PPP-B-291
Cushioning, Cellulosic	PPP-C-843
Cushioning, Flexible Plastic	PPP-C-795
Cushioning, Fee Flow	MIL-C-23734
Fiberboard, Corrugated	PPP-F-320
Paper, Neutral	MIL-P-17667
Tarnish Inhibitor	"Silver-Saver" – Daubert Chemical Co., Oakbrook, IL